

Yamano®

Y33Z15R Series

New Super Day & Night **Infrared** Corrected Zoom Lens

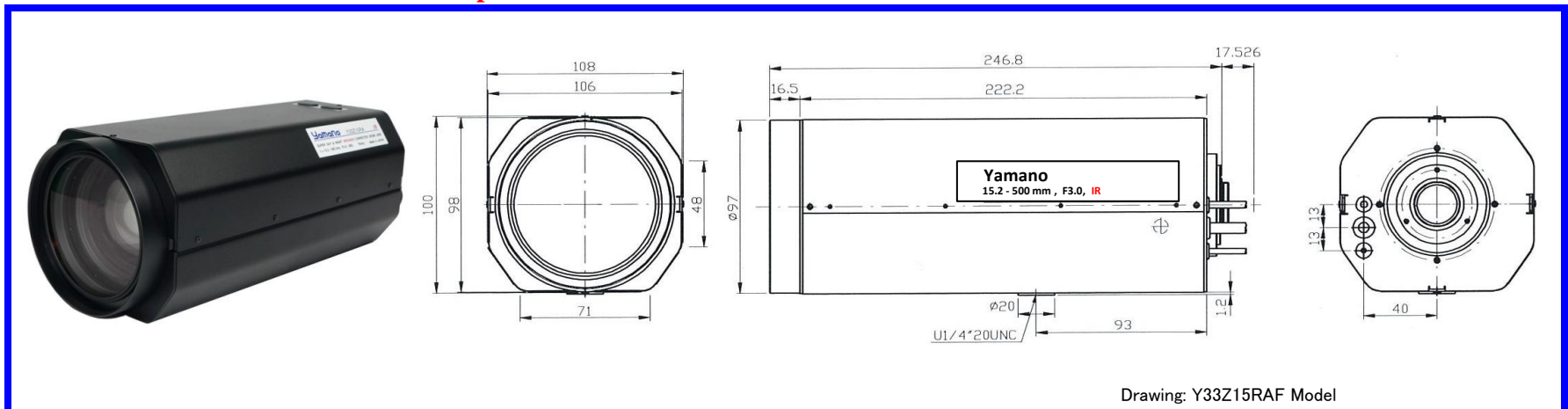


- **Perfect optical correction** keeps right focus shifting visible light to Near Infra Red wavelength
- **x33 zoom**, $f = 15.2 - 500\text{mm}$
- **F3.0** (at wide end) , very light as a x33 zoom lens
- Easy focusing by **one push auto focus**, you are released from difficulty in getting focus with long focal length zoom lens.
- **New Auto Iris Drive Circuit** to enable to respond slight change of volume of light ---- New Auto Iris System for Mega Era.
- **Light Weight**
- **Preset Function**
- Surveillance through the fog or smog with **Visible cut filter on/off function**
- Night surveillance in national park, port, airport, mountain, top of the building, volcano, nuclear power plant, highway, river, coast, lake, where visible illumination cannot be used.
- **Multi Coating + SD Glass**

x33 Infrared Corrected Zoom Lens (Day & Night)

Y33Z15R (15.0-500.0mm)Series - Infrared Corrected Zoom Lens

* visible cut filter on/off function in option



Drawing: Y33Z15RAF Model

Lens Type	3 Motors			Auto Iris		Auto Focus (Standard)		Auto Focus (Interface)		
Model No.	Y33Z15RM	Y33Z15RMP	Y33Z15RMIP	Y33Z15RA	Y33Z15RAP	Y33Z15RAF	Y33Z15RAFP	Y33Z15RAF-I	Y33Z15RAFP-I	
Format Size	1/2"									
Mount	C / CS (with CS adapter)									
Focal Length	15.2 - 500.0 mm									
Max. Aperture Ratio	1 : 3.0									
Iris Range	F3.0 - 800									
Min. Object Distance	4.0 m									
Operation	Iris	Motorized			Auto (Video Drive)(*1)					
	Focus	Motorized				Auto(*4) / Motorized				
	Zoom	Motorized								
Angle of View	Wide / Tele									
	Diagonal	28.86° / 0.92°								
	Horizontal	23.42° / 0.74°								
	Vertical	17.74° / 0.55°								
Iris	Input Voltage	DC 8V-12V			DC 8.5V-16V		DC 8V-16V			
	Current Consumption	Max. 40 mA (Motor)			Max. 40 mA (Motor)					
	Response Speed	Approx. 10 sec.			Approx. 10 sec.					
	Input Signal	-			Video Signal (VS or V)					
	Accuracy	-			±15% at Image Signal					
	Metering Method	-			Average - Peak (*2)					
Zoom	Input Voltage	DC 8V-12V			DC 4V-16V		DC ±4V - ±8V			
	Current Consumption	Max. 70 mA (Motor)			Max. 10 mA (Circuit)					
	Motorization Speed	Approx. 5-7 sec. (Variable)(*2)			Approx. 3-7 sec. (Variable)(*2)					
Manual Focus	Input Voltage	DC 8V-12V			DC 4V-16V		DC ±4V - ±8V			
	Current Consumption	Max. 70 mA (Motor)			Max. 10 mA (Circuit)					
	Motorization Speed	Approx. 12 sec. (Variable)(*2)			Approx. 12 sec. (Variable)(*2)					
Auto Focus	Input Voltage	-			DC8V-16V					
	Current Consumption	-			Max.50mA (Standby) / Max.200mA (Zoom or Focus on)					
Preset Function (*3)	-	2 Potentio	3 Potentio	-	2 Potentio	-	2 Potentio	-	2 Potentio	
Applicable Wavelength	430 nm - 950 nm									
Back Focal Length	41.48 mm (in air)									
Flange Back Length	17.526 mm									
Temperature Range	-10°C - +40°C									
Filter Screw Size	M95.0 mm P=1.0									
Dimension (V x H x D)	108.0 x 100.0 x 246.8 mm									
Weight	-	-	-	-	-	-	-	-	-	

*Specifications are subject to change without notice

*1- Manual override (Manual / Auto Iris) available

*2- Adjustable with volume

*3- There are 2 types of preset:

2 potentio - Preset on Zoom / Focus

3 potentio - Preset on Zoom / Focus / Iris

*4- When the camera with accumulator function is on, Auto Focus function does not work correctly. In that case, please turn off the Auto Focus to obtain correct operation.